



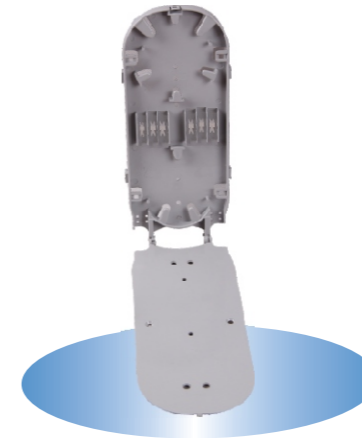
# Horizontal Fiber Optic Splice Closure(FOSC)



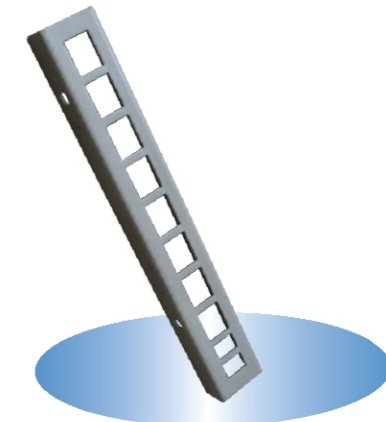
# Horizontal Fiber Optic Splice Closure(FOSC)

## Ordering Information

### Optical Splice Trays



#032  
234X100X11mm



Adapter panel

Type	Fibers/Tray	Max. Capacity	Tray#	Number of adapters	Sitable Cable Dia. Allowed(mm)
GJS-5012	12-24F	96cores	032	66pcs SC adapters/Panel	2 round ports:40mm 2 round ports:20mm

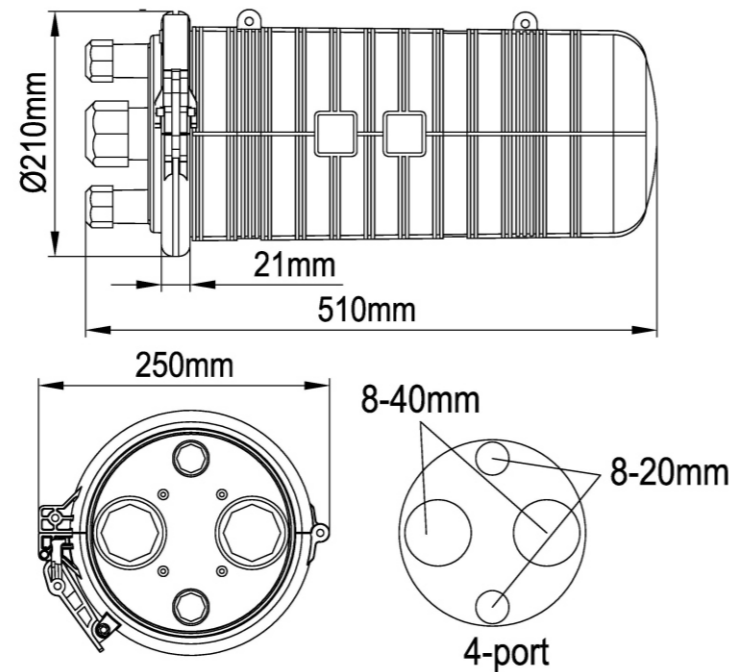
### Features

- Advanced internal structure design
- Easy to re-enter, it never requires re-entry tool it
- The closure is spacious enough for winding and storing fibers
- Fiber Optic Splice Trays(FOSTs) are design in SLIDE-IN-LOCK and its opening angle is about 90°
- The curved diameter meets with international standard
- Easy and fast to increase and reduce FOSTs
- Straight-through for uncutting and branching for cutting the fiber
- Lay adapters suit for FTTH and easy to operate

### Applications

- ◆ Suitable for bunchy fibers
- ◆ Pole-mounting, wall-mounting, hand hole-mounting
- Underground and duct-mounting

### Structural Drawing



### Accessories

#### Standard Accessories:

No.	Name	Quantity	
1	Seal tape	1 roll	
2	Abrasive cloth	1 pc	
3	Nylon tie	1 set	
4	Earthing wire	1 pc	

No.	Name	Quantity	
5	Labeling paper	1 pc	
6	Heat shrinkable protective sleeve	1 bag	
7	Desiccant	2 bags	
8	Special wrench	2 pcs	

#### Optional Accessories:

No.	Name	Quantity	
1	Pressure testing valve	1 pc	
2	Earthing deriving device	1 pc	
3	Buffer tube for bunchy fiber	1 roll	
4	Patch cord	-	

No.	Name	Quantity	
5	Wall mounting bracket	1 set	
6	Pigtail	-	
7	Adapter	-	



GJS-5012