



Horizontal Fiber Optic Splice Closure(FOSC) (mechanical sealing by gland)



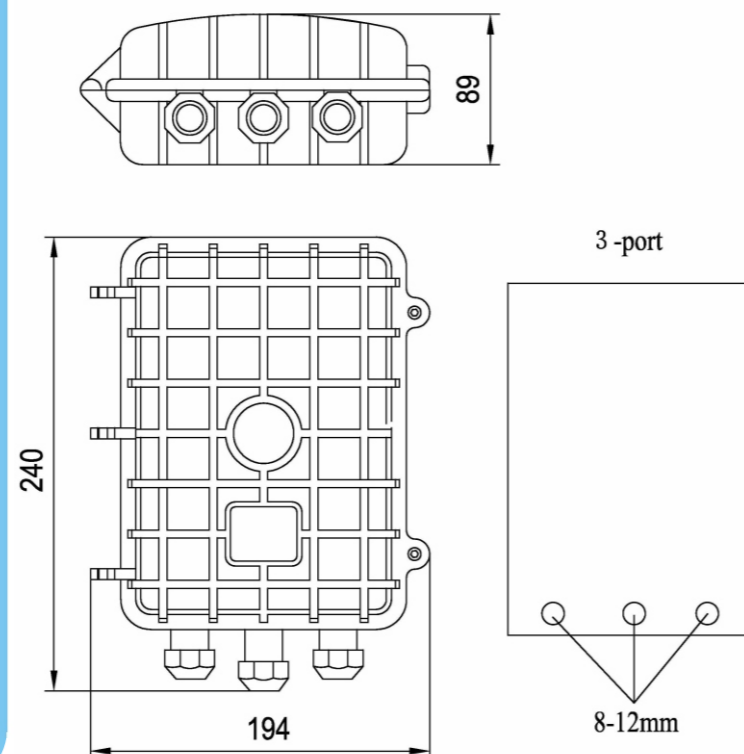
Features

- Advanced internal structure design
- Easy to re-enter, it never requires re-entry tool kit
- The closure is spacious enough for winding and storing fibers
- Fiber Optic Splice Trays(FOSTs) are design in SLIDE-IN-LOCK and its opening angle is about 90°
- The curved diameter meets with international standard
- Easy and fast to increase and reduce FOSTs

Applications

- ◆ Suitable for bunchy fibers
- ◆ Aerial, underground, wall-mounting, hand hole-mounting Pole-mounting and duct-mounting

Structural Drawing



GJS-9001



Horizontal Fiber Optic Splice Closure(FOSC) (mechanical sealing by gland)

Ordering Information

Optical Splice Trays



#036
100X96X10mm



#037
110X93X10mm

Type	Fibers/Tray	Max. Capacity	Tray#	Suitable Cable Dia. allowed(mm)
GJS-9001 I(Bunchy)	4-8F	32	036	3 round ports:12mm
GJS-9001 II(Bunchy)	6-12F	48	037	

Accessories

Standard Accessories:

No.	Name	Quantity	
1	Nylon tie	1 set	
2	Labeling paper	1 pc	
3	Heat shrinkable protective sleeve	1 bag	
4	Earthing wire	1pc	

No.	Name	Quantity	
5	Desiccant	1 bag	
6	Hanging hook	1 set	
7	Special wrench	2 pcs	

Optional Accessories:

No.	Name	Quantity	
1	Earthing deriving device	1 pc	
2	Buffer tube for bunchy fiber	1 roll	

No.	Name	Quantity	
3	Wall mounting accessories	1 set	