



Horizontal Fiber Optic Splice Closure(FOSC)

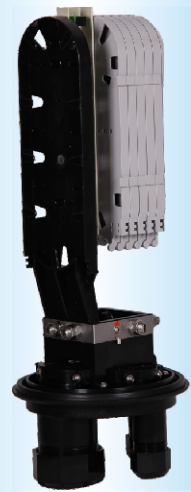
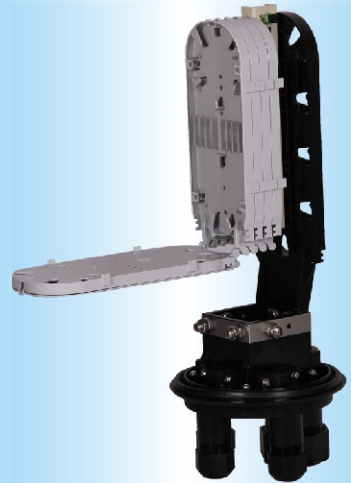
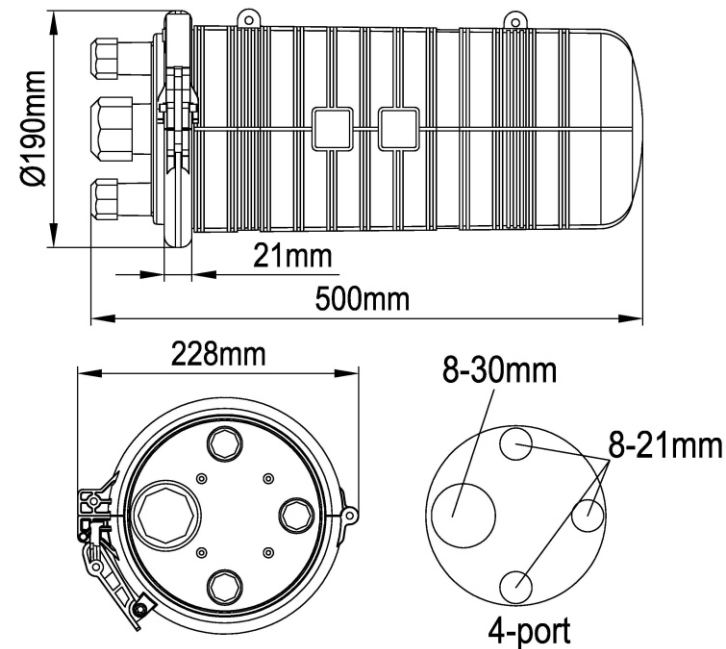
Features

- Advanced internal structure design
- Easy to re-enter, it never requires re-entry tool it
- The closure is spacious enough for winding and storing fibers
- Fiber Optic Splice Trays(FOSTs) are design in SLIDE-IN-LOCK and its opening angle is about 90°
- The curved diameter meets with international standard
- Easy and fast to increase and reduce FOSTs
- Straight-through for uncutting and branching for cutting the fiber
- Lay adapters suit for FTTH and easy to operate

Applications

- ◆ Suitable for bunchy fibers
- ◆ Pole-mounting, wall-mounting, hand hole-mounting
- Underground and duct-mounting

Structural Drawing



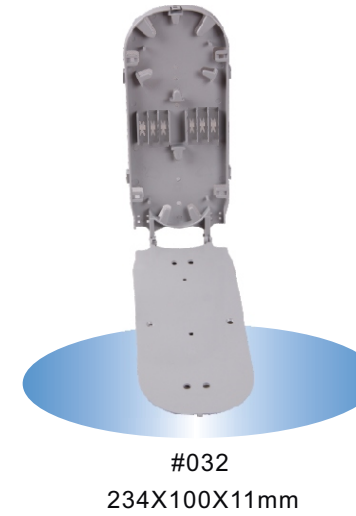
GJS-5018



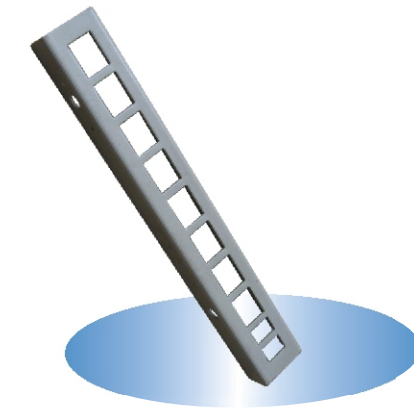
Horizontal Fiber Optic Splice Closure(FOSC)

Ordering Information

Optical Splice Trays



#032
234X100X11mm



Adapter panel

| Type | Fibers/Tray | Max. Capacity | Tray# | Number of adapters | Suitable Cable Dia. Allowed(mm) |
|----------|-------------|---------------|-------|-------------------------|--|
| GJS-5018 | 12-24F | 120cores | 032 | 18pcs SC adapters/Panel | 1 round ports:30mm 3 round ports:20mm |

Accessories

Standard Accessories:

| No. | Name | Quantity | |
|-----|----------------|----------|--|
| 1 | Seal tape | 1 roll | |
| 2 | Abrasive cloth | 1 pc | |
| 3 | Nylon tie | 1 set | |
| 4 | Earthing wire | 1 pc | |

| No. | Name | Quantity | |
|-----|-----------------------------------|----------|--|
| 5 | Labeling paper | 1 pc | |
| 6 | Heat shrinkable protective sleeve | 1 bag | |
| 7 | Desiccant | 2 bags | |
| 8 | Special wrench | 2 pcs | |

Optional Accessories:

| No. | Name | Quantity | |
|-----|------------------------------|----------|--|
| 1 | Pressure testing valve | 1 pc | |
| 2 | Earthing deriving device | 1 pc | |
| 3 | Buffer tube for bunchy fiber | 1 roll | |
| 4 | Patch cord | - | |

| No. | Name | Quantity | |
|-----|-----------------------|----------|--|
| 5 | Wall mounting bracket | 1 set | |
| 6 | Pigtail | - | |
| 7 | Adapter | - | |