



Horizontal Fiber Optic Splice Closure(FOSC)



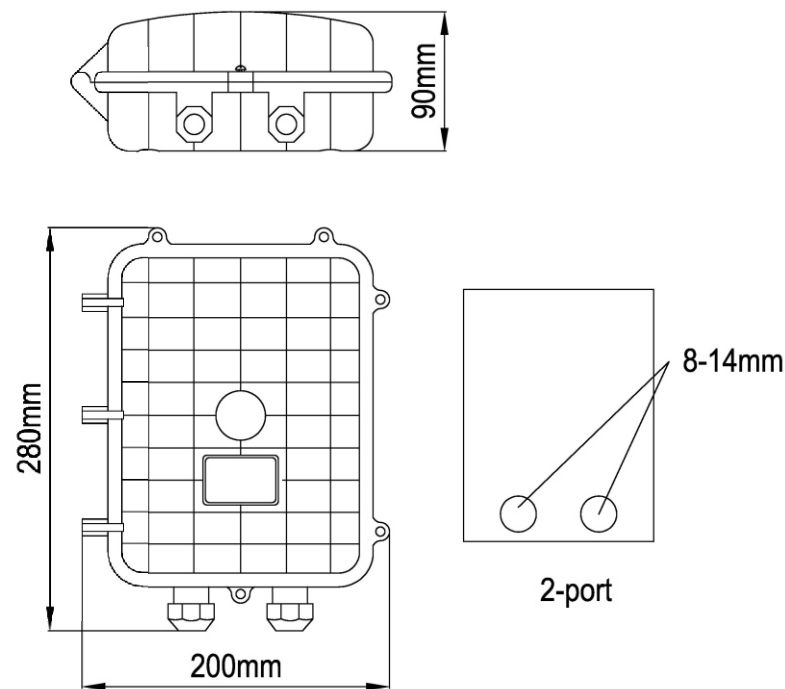
Features

- Advanced internal structure design
- Easy to re-enter, it never requires re-entry tool it
- The closure is spacious enough for winding and storing fibers
- Fiber Optic Splice Trays(FOSTs) are design in SLIDE-IN-LOCK and its opening angle is about 90°
- The curved diameter meets with international standard
- Easy and fast to increase and reduce FOSTs

Applications

- ◆ Suitable for bunchy fibers
- ◆ Aerial, underground, wall-mounting, hand hole-mounting
- Pole-mounting and duct-mounting

Structural Drawing



GJS-6006



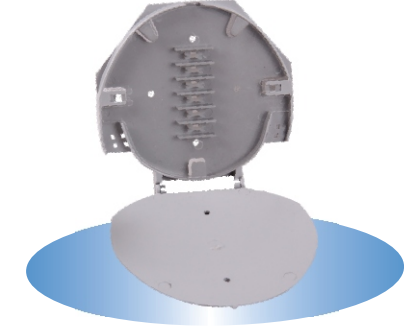
Horizontal Fiber Optic Splice Closure(FOSC)

Ordering Information

Optical Splice Trays



#022
144X133X9mm



#023
132X133X10.5mm

Type	Fibers/Tray	Max. Capacity	Tray#	Suitable Cable Dia. allowed(mm)
GJS-6006 I(Bunchy)	6-12F	48	022	2 round ports:14mm
GJS-6006 II(Bunchy)	12-24F	96	023	

Accessories

Standard Accessories:

No.	Name	Quantity	
1	Seal tape	1 roll	
2	Insulation tape	1 roll	
3	Abrasive cloth	1 pc	
4	Earthing wire	1 pc	
5	Nylon tie	1 set	

No.	Name	Quantity	
6	Labeling paper	1 pc	
7	Heat shrinkable protective sleeve	1 bag	
8	Desiccant	1 bag	
9	Special wrench	1 pc	
10	Hanging hook	1 set	

Optional Accessories:

No.	Name	Quantity	
1	Earthing deriving device	1 pc	
2	Wall mounting bracket	1 set	

No.	Name	Quantity	
3	Buffer tube for bunchy fiber	1 roll	