



Dome Mechanical Seal Fiber Optic Splice Closure(FOSC)



GJS-8001

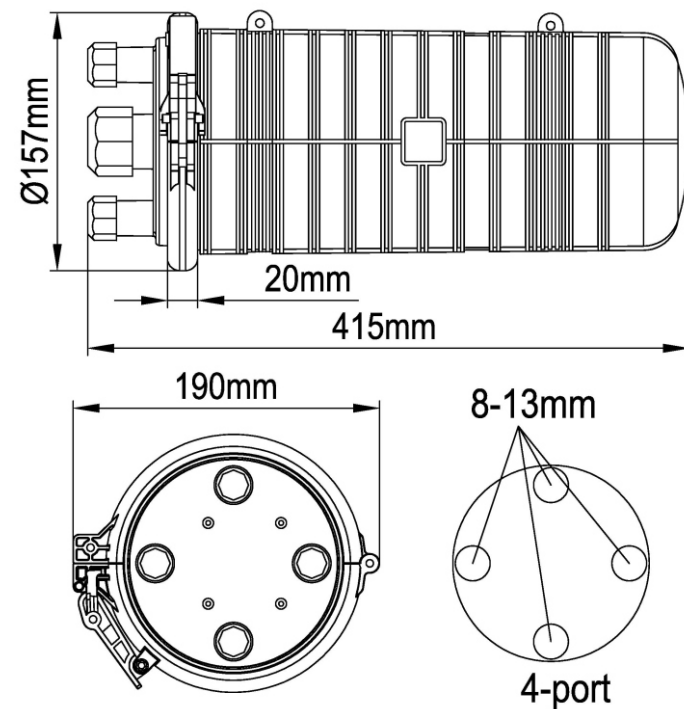
Features

- Advanced internal structure design
- Easy and fast to fix fiber cable
- Fiber suffers no attenuation
- The closure is spacious enough for winding and storing fibers
- Fiber Optic Splice Trays(FOSTs) are design in SLIDE-IN-LOCK and its opening angle is about 90°
- The curved diameter meets with international standard
- Easy and fast to increase and reduce FOSTs
- Innovative elastic intergrated seal fitting

Applications

- ◆ Suitable for bunchy fibers
- ◆ Aerial, underground, wall-mounting, hand hole-mounting
Pole-mounting and duct-mounting

Structural Drawing

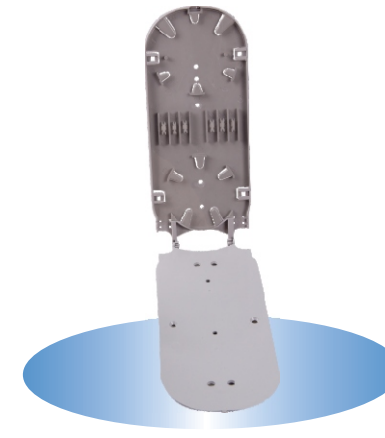


Dome Mechanical Seal Fiber Optic Splice Closure(FOSC)

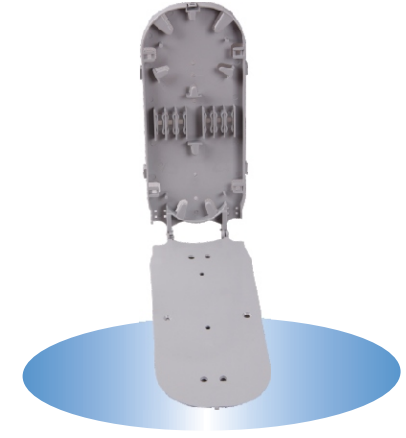


Ordering Information

Optical Splice Trays



#031
234X96X7.5mm



#032
234X100X11mm

Type	Fibers/Tray	Max. Capacity	Tray#	Suitable Cable Dia. allowed(mm)
GJS-8001 I(Bunchy)	12F	72	031	4 round ports:13mm
GJS-8001 II(Bunchy)	12-24F	96	032	

Accessories

Standard Accessories:

No.	Name	Quantity	
1	Heat shrinkable protective sleeve	1 bag	
2	Nylon tie	1 set	
3	Earthing wire	1 pc	

No.	Name	Quantity	
4	Special wrench	2 pcs	
5	Desiccant	2 bags	
6	Labeling paper	1 pc	

Optional Accessories:

No.	Name	Quantity	
1	Pressure testing valve	1 pc	
2	Earthing deriving device	1 pc	
3	Buffer tube for bunchy fiber	1 roll	
4	Aerial mountingbracket	1 set	

No.	Name	Quantity	
5	Pole mounting bracket	1 set	
6	Metal hoop	1 set	
7	Wall mountingbracket	1 set	